

Remote Water Chillers

R1P

MODEL

- R1P delivers 1 gph of chilled water

FEATURES

Standard

- Powder coated galvanized steel cabinet with plastic front.
- Air-cooled; designed to fit under a sink
- Compact, economical and easily installed
- Four foot (4') insulated power cord with NEMA 5-15 plug
- Stainless steel storage tank
- 1/4" OD stainless steel water tube connections
- Welded water lines to eliminate corrosion and assure leakproof operation
- HFC Refrigerant R-134a



SUGGESTED SPECIFICATION*

Remote drinking water chiller shall deliver at least 0.8 GPH (3.0 LPH) of water at 50°F (10°C) cooled from 80°F (26.7°C) inlet water at 90°F (32.2°C) ambient. Evaporator shall be copper evaporator tube on stainless steel water storage tank and both shall be encapsulated in insulation. Total water system shall be stainless steel. R-134a refrigerant system shall be hermetically sealed and refrigerant flow shall be capillary tube controlled. An adjustable thermostat having an off position shall control refrigeration system. Potable water system components shall comply with Safe Drinking Water Act Amendments, the 1988 Lead Contamination Control Act and shall be Certified to NSF/ANSI 61, Section 9. Chilled water capacity shall be rated per ARI Standard 1010. Cooler shall be Listed by Underwriters Laboratories Inc. to U.S. and Canadian safety standards. Drinking water chiller shall be Sunroc model **R1P**.

***All specifications subject to change without notice**



Certified to NSF/ANSI 61/Section 9

Model	Capacities*		Hot Tank Available	Pre-Cooler	115 volts, 60Hz		Glass Filler Accessory Option	Cabinet Color Options
	Cooling Capacity GPH (LPH)	Base Rate GPH (LPH)			Full Load Amps	Rated Watts		
R1P	1	--	No	No	1.3	135	No	No

*Capacities are at industry standard rating conditions of 50° F (10° C) outlet water, 80° F (26.7° C) inlet water and 90° F (32.2° C) ambient air.

Model covered by this specification complies with all known Plumbing Codes. Listed by Underwriters Laboratories Inc.

Five Year Limited Warranty: (Continental United States and Canada only)
Five years from date of installation on parts only.

Components in this cooler are lead free as defined by the Safe Drinking Water Act Amendments of 1986, and the Lead Contamination Control Act of 1988

Export Warranty: One year component parts.
Detailed warranty certificate enclosed with each water cooler; sample copy available upon request.

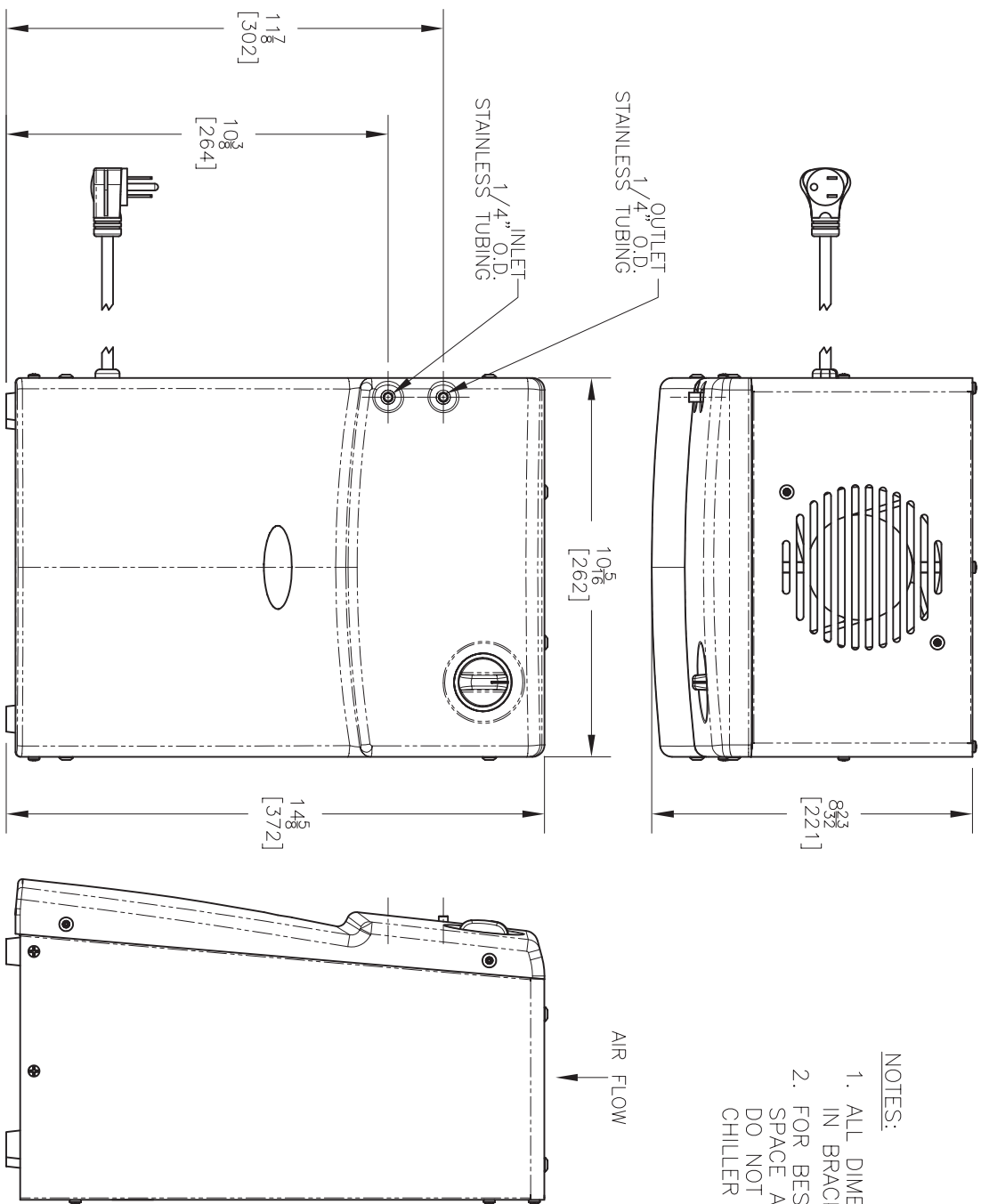
Drinking water cooler is Certified to NSF/ANSI 61.

(614) 861-1350

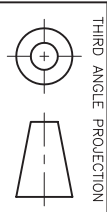
www.sunroc.com

Form 4025 05/06





- NOTES:
1. ALL DIMENSIONS ARE IN INCHES. DIMENSIONS IN BRACKETS [] ARE IN MILLIMETERS.
 2. FOR BEST PERFORMANCE, ALLOW A 2" [51] SPACE AROUND THE SIDE AND THE TOP. DO NOT PUT ANY OBJECTS ON TOP OF THE CHILLER THAT COULD OBSTRUCT THE FAN.



THIRD ANGLE PROJECTION
ROUGHING-IN
AND
DIMENSIONAL DRAWING